

○ TECHNICAL ARTICLE

STANDARD HIGH VOLTAGE MODULES SAVE TIME, SPACE AND MONEY

System power designers specifying high voltage power supplies have three basic options: (i) specify, manage and procure a custom supply from a third-party supplier; (ii) design, manage and manufacture either in-house or via a contract manufacturer; or (iii) the option that allows them to build a high voltage power supply without having to deal directly with the many challenges unique to high voltage design by using standard building block parts selected to meet the system power demands. This design approach can be realized either in-house by the system designer or by engaging the manufacturer of the standard high voltage converters to produce the entire high voltage power assembly.

Component high voltage output DC/DC converters have changed the way many manufacturers implement and use high voltage in their products. These standard high voltage DC/DC converter modules are miniaturized, PCB-mounted, encapsulated, low noise assemblies generating a high voltage output that is fully controllable using standard low voltage circuitry.

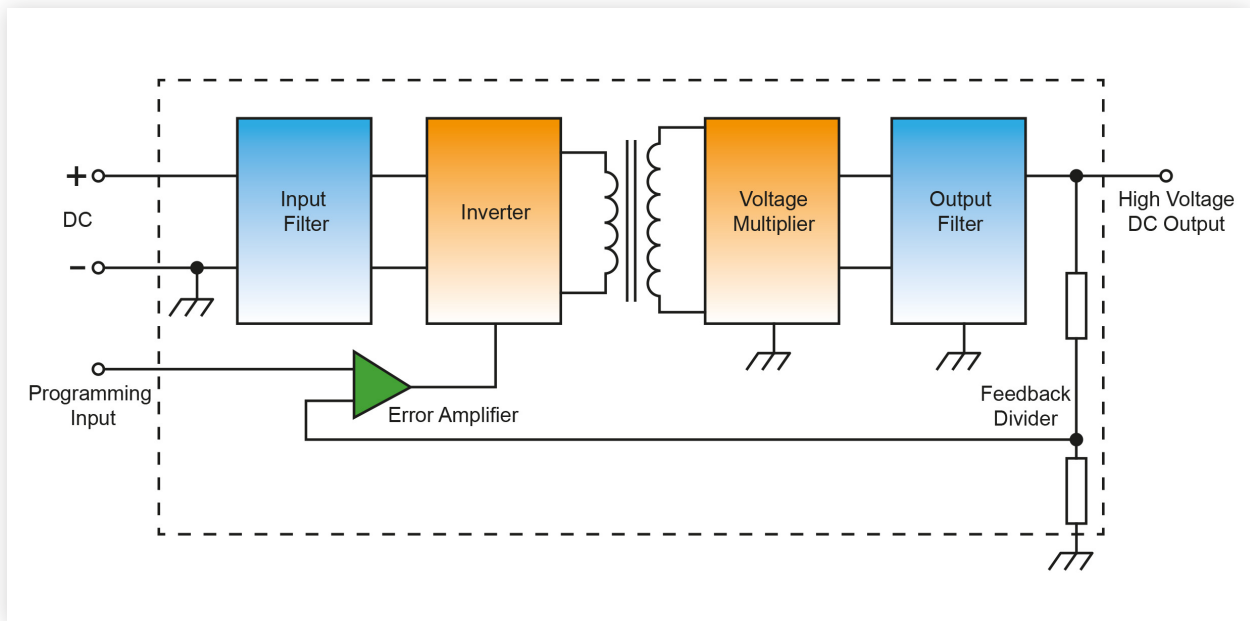


Figure 1: Component, high voltage DC/DC converters generate a high voltage output that is fully controllable using standard low voltage circuitry.

The alternative approach to the regulated module, particularly where input-to-output isolation is required or desirable, is to take a standard proportional module and implement an external control loop which monitors the output voltage and compensates for load changes either by adjusting the control input or by adjusting the input to the module itself via a low cost, low voltage, pre-regulator stage. Design information for such control schemes is generally available to users from the module manufacturer.

When taking a distributed power solution approach, power system designers can simply plug in a miniature high voltage module and locate it precisely where the high voltage supply is needed, eliminating the need for a bulky, chassis-mounted, custom high voltage power supply. Alternatively, these miniature, versatile modules can be used as building blocks to provide solutions to bespoke power needs in a centralized power solution, which can also include low voltage power outputs for system controls, without the risks associated with ground-up custom design of the high voltage power stage.

Advances in the miniaturization of high voltage assemblies, coupled with the wide array of high voltage DC/DC converters available off the shelf, allow system designers to take advantage by selecting a standard high voltage module to suit their power requirement, secure in the knowledge that the high voltage converter is qualified, verified, has demonstrated reliability and is readily available. Standard off-the-shelf high voltage DC/DC converters offer power system designers a number of compelling benefits:

1. Reduced design cycles

Using high voltage modules eliminates the time required to either qualify custom high voltage power supply or for equipment designers to research, develop and verify the entire supply themselves. Changes in output voltage or power levels are easily made at any time during development or implemented for system options, without incurring additional lead time for the variations and accelerating time to market.

2. Reduced size and weight

High voltage DC/DC converters occupy significantly less space than traditional high voltage designs due to the advanced materials and packaging utilized in miniaturizing the device. This leads to additional space for enhanced system features, reduction in the size of centralized power solutions and potential reduction of overall system volume. The materials and processes used in the manufacture of high voltage modules are well proven for long term reliability, with products available over a wide range of voltages and power levels.

3. Reduced development and manufacturing costs

PCB-mounted modules generally do not require hardware for chassis mounting or hand wiring, speeding up assembly and reducing the risk of error. Users benefit from the economies of scale, since standard high voltage modules are already being produced in higher volumes and are priced accordingly. The use of standard products reduces the risk of reliability issues as the design is qualified, verified and has demonstrated reliability.

4. Increased flexibility

Modifications and application specific variations can be generated rapidly with little or no risk based on a proven base design and construction. Common packages and footprints among different products ease voltage or power changes during system development.

5. Agency approvals

Most standard high voltage modules already have regulatory approvals, making the approval process quicker and easier.

All of the benefits outlined above are equally applicable to bespoke power solutions derived by using the standard high voltage modules as building blocks, whether for in-house development by the end system designer or for those undertaken by the module manufacturer itself.

Given the benefits outlined above, standard module parts clearly provide an attractive alternative to custom high voltage supplies where the time, costs and processes required for manufacture of a reliable solution can be problematic. The original equipment manufacturer must invest the time to generate the high voltage power supply's electrical, mechanical and interface specifications, solicit quotes and select a vendor. Upfront non-recurring engineering (NRE) fees, tooling costs and set-up charges can be significant, and delivery of the first custom power supply prototype may take many months, with iterations to follow before a production unit can be verified and supplied.

The system designer's other route to a high voltage supply, in-house design and build, presents the challenges of reliable high voltage transformer design, high voltage component selection, high voltage PCB layout, encapsulation, verification and special assembly procedures. These challenges require considerable time and effort before a reliable, producible power supply is developed. Reliability and manufacturability problems often appear late in the process, extending completion beyond schedule and delaying product release to market.

Not least consideration must be given to long term reliability, a risk in any high voltage design. The combination of material properties, environmental factors and product design can create unrealized, unplanned and particularly undesirable side effects. For example, leakage currents can increase over time with the potential to eventually result in a hard-arc and catastrophic failure. Excessive leakage currents may create errors in high impedance feedback circuits, resulting in voltage drift and stability issues over time and with changes in temperature, in applications that typically require precision and low noise. FR4 PCB substrates can be particularly vulnerable to contamination and absorbed moisture. Absorbed moisture lowers the glass-transition temperature (T_g) of FR4, making the assembly susceptible to field failures in applications with dynamic thermal conditions. Impurities, incorrect fillers or incomplete cure in encapsulation systems can cause excessively high leakage currents that are non-linear and erratic over time and temperature, potentially destabilizing the high voltage system.

Given these challenges, using standard, off-the-shelf, proven high voltage DC/DC converter modules provides an array of benefits resulting in a reliable, low cost, low risk, fast time-to-market route for high voltage power system requirements.

As discussed, high voltage DC/DC converters can also be configured into bespoke solutions by the high voltage DC/DC manufacturer, producing application specific high voltage power solutions from proven building blocks in a single custom assembly.

XP Power's engineering services group is a good example, taking the end equipment manufacturer's system specification requirements and producing a drop-in, application specific sub-assembly for easy integration without the risks associated with ground-up high voltage power design. Typical solutions include AC input supplies, specific mechanical design and packaging, control electronics, interfaces, signals and alarms, the ability to reverse the high voltage supply, digital communication interfaces and the ability to combine both the low voltage and high voltage demands of a typical end application from a broad standard product portfolio.

XP Power offers a broad range of DC to high voltage DC converter modules with output voltages from 100V to 10kV in both proportional and regulated topologies for use as stand-alone modules by the end equipment manufacturer or integrated into application specific assemblies.

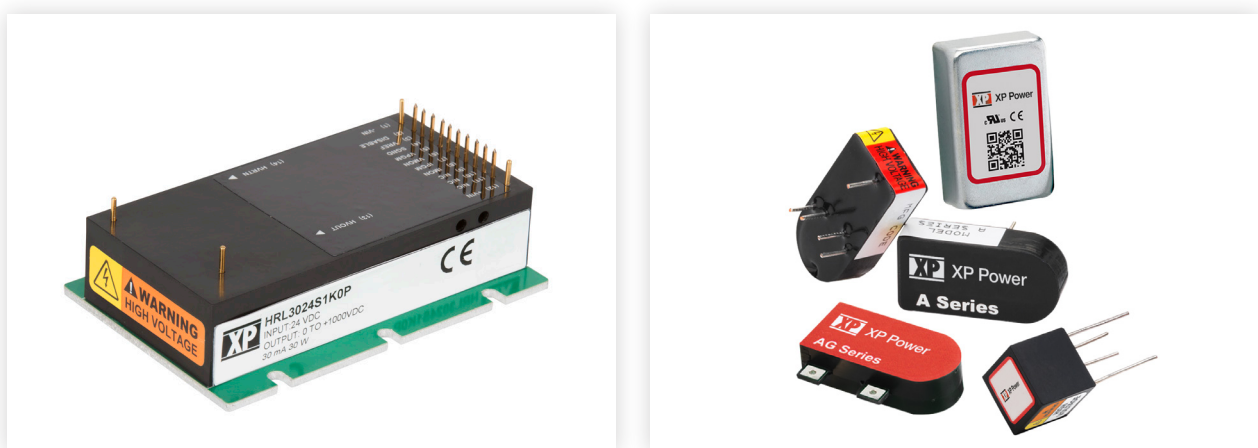


Figure 2: DC-HVDC products.